



SERVING THE FOOD INDUSTRY SINCE 1951

Double Panini Grills - 10"x 18" Cooking Surface

ITEM:	21466	19937	42913	42914
MODEL:	PG-CN-0711-F	PG-CN-0711-R	PG-CN-0711-FT	PG-CN-0711-RT



SMOOTH TOP & BOTTOM
21466, 42913



GROOVED TOP & BOTTOM
19937, 42914



The perfect grill to serve your favorite sandwiches anytime.

This Sandwich Grill has a stainless steel body with cast iron grilling surfaces for easy cleaning. Ideal for sandwiches, burger, quesadillas, panini, foccacia, and pita sandwiches.

FEATURES:

- Stainless steel body with cast iron grilling surfaces
- Non-slip rubber feet
- Equipped with timer to maximize work efficiency (items: 42913, 42914)
- Heat-resistant handles for safe operations
- Panini grill cleaning brush included



WITH TIMER
ITEMS 42913 & 42914



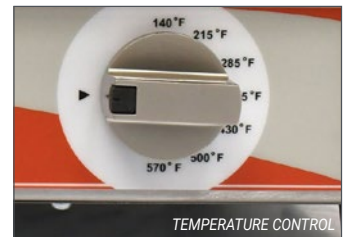
SMOOTH SURFACE



GROOVED SURFACE



GRILL BRUSH



TEMPERATURE CONTROL

Telephone: 1-800-465-0234

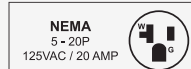
Fax: (905) 607-0234

Email: sales@omcan.com

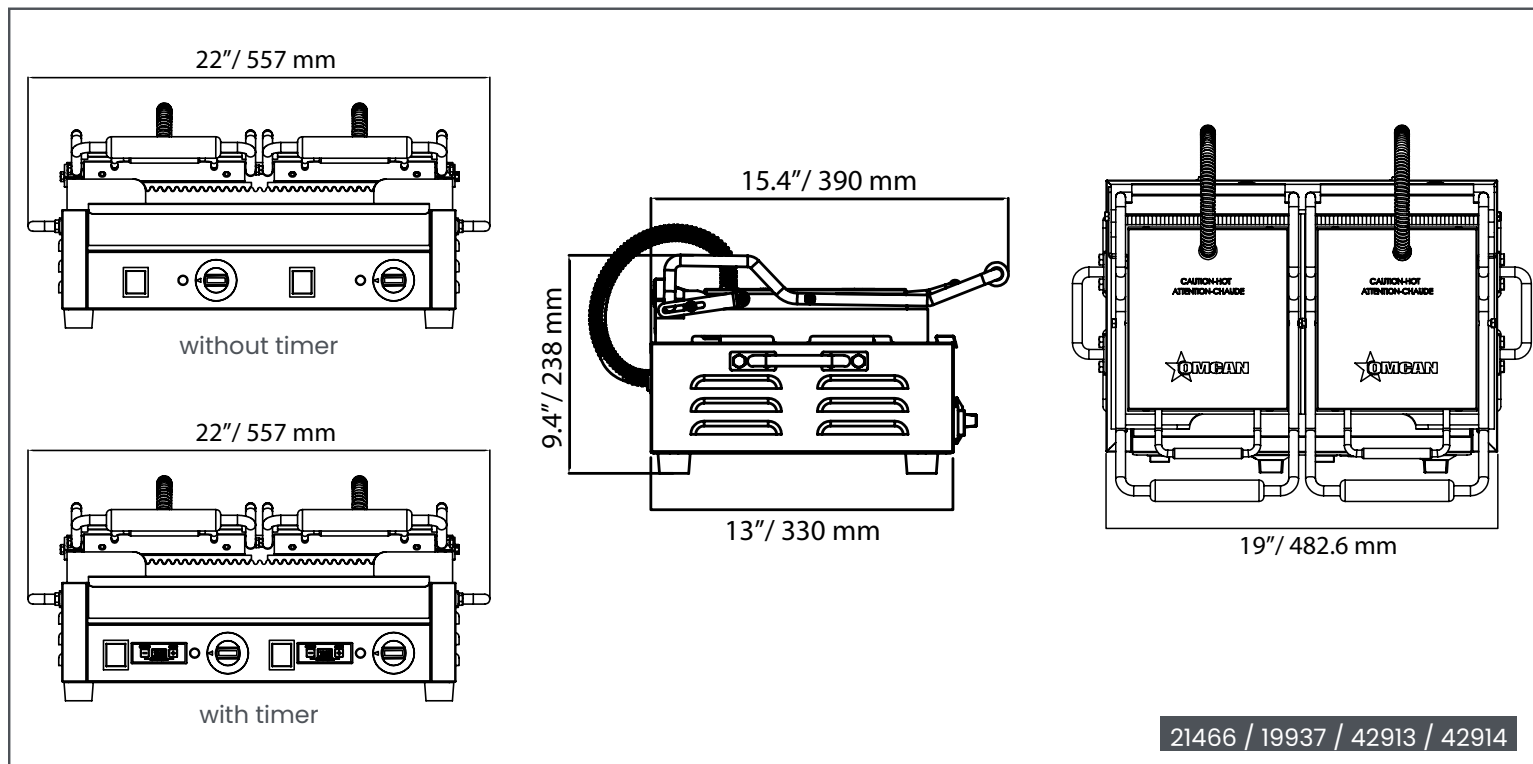
Website: www.omcan.com



Authorized Dealer



TECHNICAL DRAWING



TECHNICAL SPECIFICATION

Features	Smooth Top & Bottom without timer	Grooved Top & Bottom without timer	Smooth Top & Bottom with timer	Grooved Top & Bottom with timer
Item	21466	19937	42913	42914
Model	PG-CN-0711-F	PG-CN-0711-R	PG-CN-0711-FT	PG-CN-0711-RT
Grill Surface	10" x 18"	10" x 18"	10" x 18"	10" x 18"
Top Grill Surface	smooth	grooved	smooth	grooved
Bottom Grill Surface	smooth	grooved	smooth	grooved
Thermostat Control	300°C / 572°F	300°C / 572°F	300 °C / 572 °F	300 °C / 572 °F
Power	3,200 W	3,200 W	3,200 W	3,200 W
Amps	14.5 A	14.5 A	14.5 A	14.5 A
Electrical	220V / 60Hz / 1Ph	220V / 60Hz / 1Ph	220V / 60Hz / 1Ph	220V / 60Hz / 1Ph
Net Weight	75 lb. / 34 kg.	75 lb. / 34 kg.	75 lb. / 34 kg.	75 lb. / 34 kg.
Net Dimensions	22" x 15.4" x 9.4"H (Close) / 22.25"H (Open)			
Gross Weight	83 lb. / 37.6 kg.	83 lb. / 37.6 kg.	83 lb. / 37.6 kg.	83 lb. / 37.6 kg.
Gross Dimensions	20" x 23" x 14"	20" x 23" x 14"	20" x 23" x 14"	20" x 23" x 14"